

The ECx is a complete welded construction and designed for those applications where the process conditions are such that direct mounting of the instrument cannot be done. Applications are aggressive media, waste water treatment, or when special wetted parts materials for pressure gauges are required. ECx is typically used in combination with pressure gauges.



STANDARD EXECUTION – ECA / ECB / ECE / ECH

DIAPHRAGM	BODY	MOUNTING CONNECTION	CONSTRUCTION
AISI 316(L)	AISI 316(L)	top (axial)	welded

THREADED PROCESS CONNECTIONS

ECA - NPT / BSP

size		mwp	dD
1/2"	Male or Female	400 bar	32mm
1/4"	Male or Female	400 bar	32mm

Note: mwp (maximum working pressure) at 20 °C with AISI 316(L) body material

ECB - NPT / BSP

size		mwp	dD
1/2"	Male or Female	160 bar	51mm
1/4"	Male or Female	160 bar	51mm

Note: mwp (maximum working pressure) at 20 °C with AISI 316(L) body material

ECE - NPT / BSP

size		mwp	dD
1/2"	Male or Female	600 bar	23mm
1/4"	Male or Female	600 bar	23mm

Note: mwp (maximum working pressure) at 20 °C with AISI 316(L) body material

ECH - NPT / BSP

size		mwp	dD
1/2"	Male or Female	1000 bar	35mm
1/4"	Male or Female	1000 bar	35mm

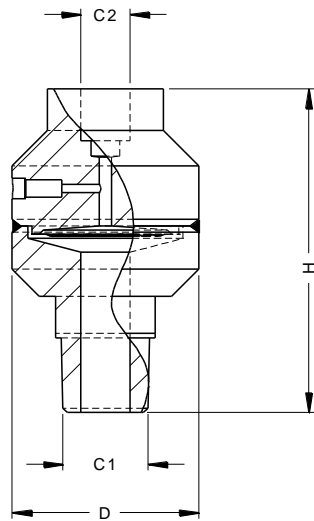
Note: mwp (maximum working pressure) at 20 °C with AISI 316(L) body material

WETTED PARTS, BODY MATERIALS, AND THREADS

diaphragm mat.	body material	lowerpart material
AISI 316(L)	AISI 316(L)	AISI 316(L)
Hastelloy C-276	Hastelloy C-276	Hastelloy C-276
Monel 400	Monel 400	Monel 400
Duplex 2205	Duplex	Duplex

threads	norms
NPT	ANSI B1.20.1
BSP	ISO 228
BSPT	ISO 7
UNF	ANSI B1.1
METRIC	ISO 965

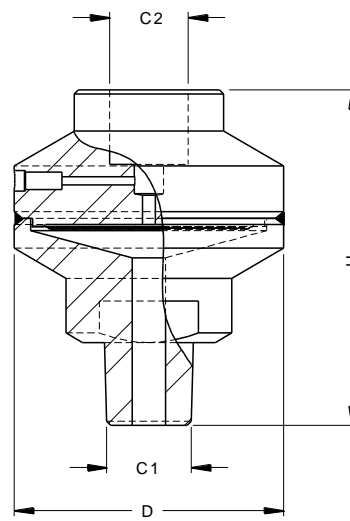
DRAWING AND DIMENSIONS STANDARD EXECUTIONS – ECA / ECB / ECE / ECH



ECA

C1	C2	dD	D	H
1/2" NPT-f	1/2" BSP-f	32	46	60
1/2" BSP-f	1/2" BSP-f	32	46	60
1/2" NPT-m	1/2" BSP-f	32	46	78
1/2" BSP-m	1/2" BSP-f	32	46	78

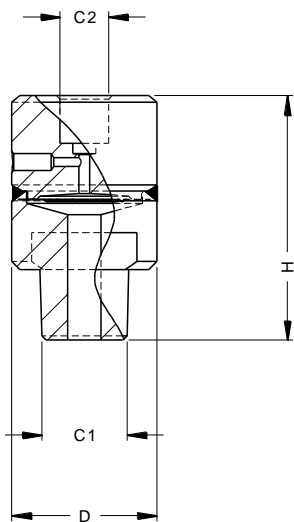
All dimensions in mm



ECB

C1	C2	dD	D	H
1/2" NPT-f	1/2" BSP-f	51	65	61
1/2" BSP-f	1/2" BSP-f	51	65	61
1/2" NPT-m	1/2" BSP-f	51	65	81
1/2" BSP-m	1/2" BSP-f	51	65	81

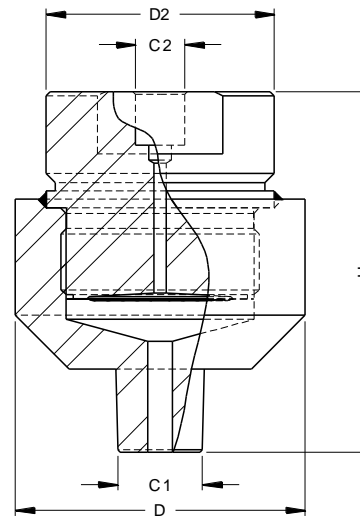
All dimensions in mm



ECE

C1	C2	dD	D	H
1/2" NPT-f	1/2" BSP-f	23	35	42
1/2" BSP-f	1/2" BSP-f	23	35	42
1/2" NPT-m	1/2" BSP-f	23	35	59
1/2" BSP-m	1/2" BSP-f	23	35	59

All dimensions in mm



ECH

C1	C2	dD	D	D2	H
1/2" NPT-f	1/2" BSP-f	35	70	55	101
1/2" BSP-f	1/2" BSP-f	35	70	55	101
1/2" NPT-m	1/2" BSP-f	35	70	55	96
1/2" BSP-m	1/2" BSP-f	35	70	55	94

All dimensions in mm



Holland – United Kingdom – Romania – India – Thailand – Dubai – USA

To our knowledge, the information contained herein is accurate as of the date of this document. However neither Badotherm, nor its affiliates makes any warranty, express or limited, or accepts any liability in connection with this information or its use. This information is for technical skilled persons at their own discretion and risk and does not relate to the use of this product in combination with any other product. The user alone finally determines suitability of any information or material in contemplated use, the manner of use and whether any patents are infringed. This information gives typical properties only.

Badotherm reserves the right to make changes to the specifications and materials without prior notice. The latest version of the datasheet can be found on www.badotherm.com.

© 2001 Badotherm, all rights reserved. Trademarks and/or other products referenced herein are either trademarks or registered trademarks of Badotherm.