

# Accessories – Blind and vent plugs and caps

## Description

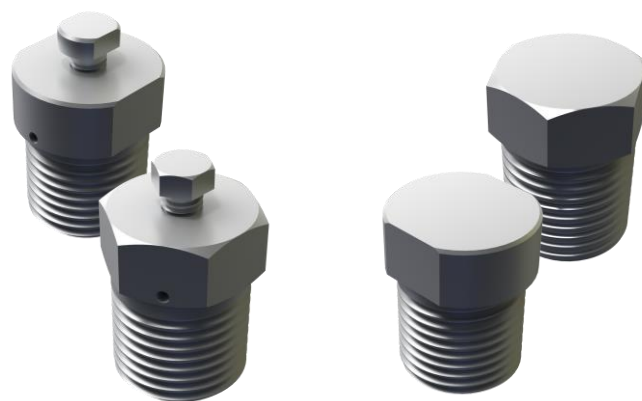
Multiple accessories can be equipped with vent/drain plugs or blind plugs. The function of a vent/drain plug is that the process can be vented in case of start-up of a process or drained when demounting the part. During calibration it can be helpful as well to release the pressure from the system. The blind plug is used to block the threaded connection. This way a connection can be made in a later stage of the use of the product.

## Material of construction

Blind and vent/drain plugs or caps can be made from all materials. When the plugs are in contact with the process it is advised to have them in the same material as the accessory it is mounted to. Therefore there are numerous materials that can be supplied. Below a selection of common used materials, however customer specific materials with certifications can be supplied as well.

Diaphragm material		
General name	UNS	Wst.
AISI 304L	S30400	1.4400
AISI 316L	S31600	1.4404
AISI 316 UG	S31600	1.4435
AISI 321	S32100	1.4400
25-22-2 LMN	S31050	1.4466
254 SMO (6Mo)	S31254	1.4547
AISI 904L	N08904	1.4539
Alloy 20	N08020	2.4660
Duplex 2205	S32205	1.4462
Alloy C-276	N10276	2.4810
Alloy B2	N10665	2.4617
Alloy C22	N06022	2.4602
Alloy 600	N06600	2.4816
Alloy 625	N06625	2.4856
Alloy 825	N08825	2.4810
Alloy 400	N04400	2.4375
Nickel 201	N02201	2.4068
Super Duplex 2507	S32760	1.4501
Tantalum <sup>1)</sup>	R05200	-
Titanium Gr. 1	R50250	2.7025

1) With Tantaline treatment



## Process Connections

All kind of process connections are possible. Below table shows the most common used sizes.

Standard	Female thread	Male thread
ISO 228-1 (BSP)	G ¼ – G 2	G ¼ A – G 1.5 A
ANSI B 1.20.1 (NPT)	¼ NPT" – 2" NPT	¼" NPT – 1.5" NPT
DIN 13-1 (M)	M20	M20
ISO 7-1 (BSPT)	Rc ¼, Rc ½	R ¼, R ½

## Marking

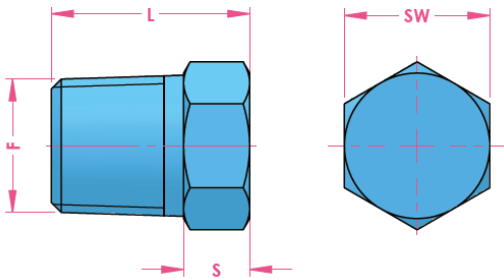
Marking on the parts is only available in combination with 3.1 certificate. The standard vent and blind plugs in AISI316(L) material are without marking and certificate. When 3.1 is selected the plugs are with marking of the heat number and material.

## Executions

Badotherm has selected default executions. This means the shape and the length of the parts. In the dimensions section details can be found. The exotic items are made from round material where two flat sides are milled. Whenever this leads to issues the items can be made with hexagon wrench connection as well.

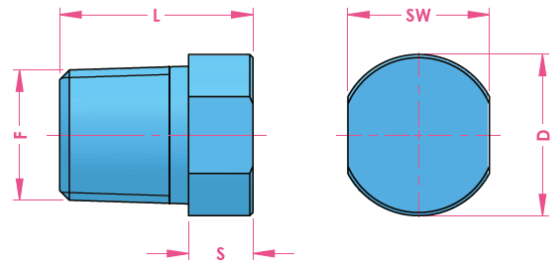
## Dimensions

### Blind plug



AISI 316 version

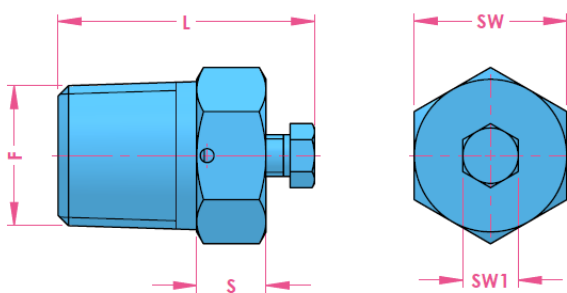
F	S	SW	L
1/4"	6.0	16.0	16.0
1/2"	8.0	22.0	22.0
3/4"	10.0	27.0	26.0



Exotic version

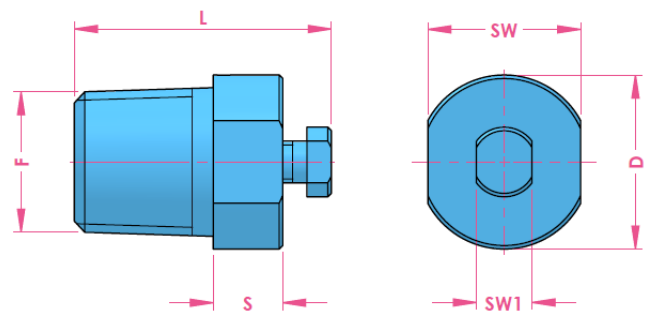
F	S	SW	L	D
1/4"	7.0	14.0	21.0	16.0
1/2"	10.0	22.0	30.0	25.0
3/4"	10.0	27.0	30.0	32.0

### Vent plug



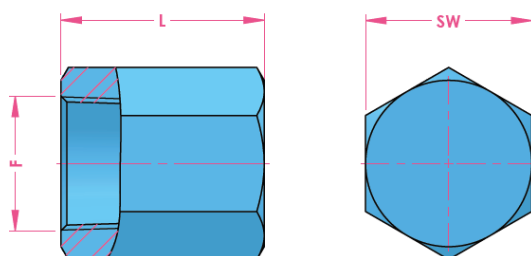
AISI 316 version

F	S	SW	SW1	L
1/4"	6.0	16.0	8.0	23.0
1/2"	8.0	22.0		29.0
3/4"	10.0	27.0		33.0



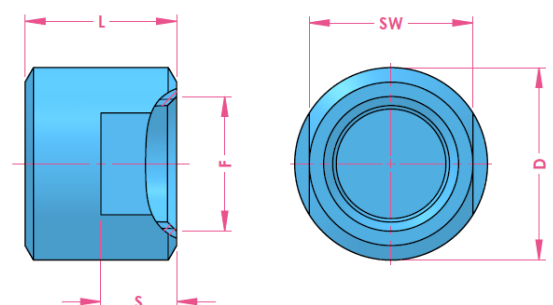
Exotic version

F	S	SW	SW1	L	D
1/4"	7.0	14.0	8.0	21.0	23.0
1/2"	10.0	22.0		30.0	32.0
3/4"	10.0	27.0		30.0	39.0



AISI 316 version

F	SW	L
1/2"	27.0	25.0



Exotic version

F	S	SW	L	D
1/2"	12.5	27.0	25.0	30.0

## Change log

Date	Change

Holland – Romania – India – Thailand – Dubai – USA

To our knowledge, the information contained herein is accurate as of the date of this document. However neither Badotherm, nor its affiliates makes any warranty, express or limited, or accepts any liability in connection with this information or its use. This information is for technical skilled persons at their own discretion and risk and does not relate to the use of this product in combination with any other product. The user alone finally determines suitability of any information or material in contemplated use, the manner of use and whether any patents are infringed. This information gives typical properties only. Badotherm reserves the right to make changes to the specifications any materials without prior notice. The latest version of the datasheet can be found on [www.badotherm.com](http://www.badotherm.com).

© 2015 Badotherm, all rights reserved. Trademarks and/or other products referenced herein are either trademarks or registered trademarks of Badotherm.